

## C3 Push-to-Close Latch

Pull-to-open · Grabber catch · Snap-in

### Features

- Spring-loaded over-center latching
- One assembly includes catch and keeper

### Material

- PC/ABS, black and glass-filled nylon, black, mineral filled nylon, black

### Product Performance

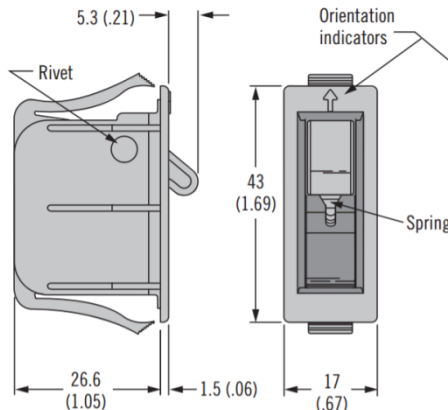
- Operating temperature range: -30 °C to 60 °C
- Flammability rating: UL94-HB

### Installation Notes

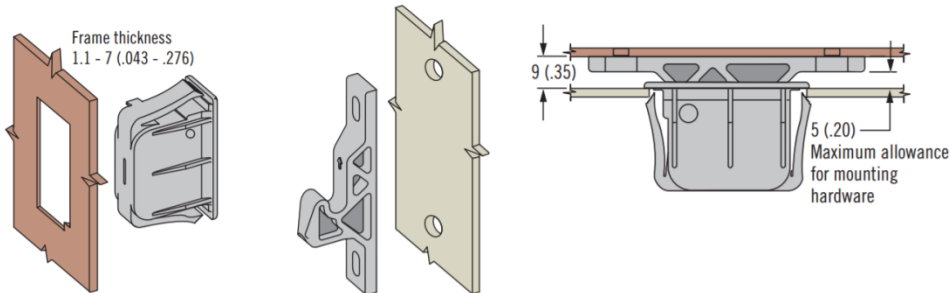
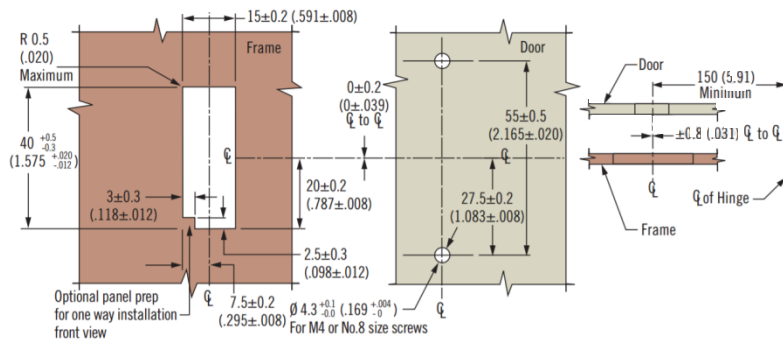
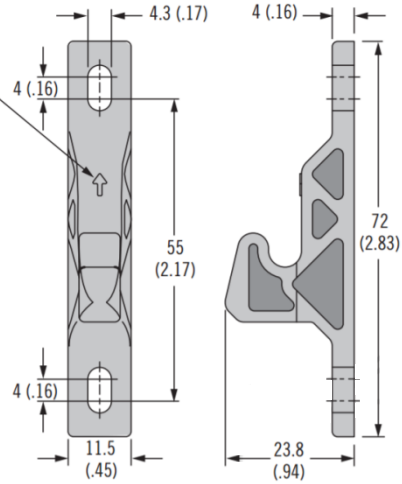
- Maximum tightening torque on mounting screws (not supplied)
  - Keeper: 2.8 N.m
- Orient keeper to latch. The arrow on the keeper should point towards the cam. Mount to door and adjust for smooth latching



Catch



Keeper



Approximate Pull-Up Force	Spring Color	Part Number		
		Frame Thickness Range		
		1.1 - 2.9 (.043 - .114)	2.9 - 5.3 (.114 - .209)	5.3 - 7 (.209 - .276)
13 N (3 lbf)	Blue	C3-303	C3-503	C3-703
22 N (5 lbf)	Silver	C3-305	C3-505	C3-705
44 N (10 lbf)	Black	C3-310	C3-510	C3-710